



■ FEATURES:

- For automatic assembly
- Compactness and light weight
- VCTCXO available
- Low thickness

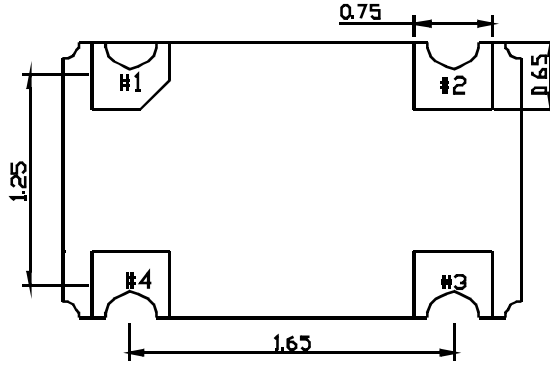
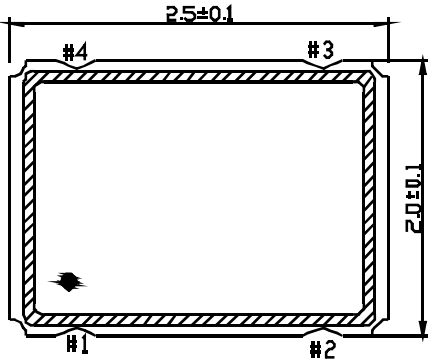
■ SPECIFICATION:

Parameter	Min	Typical	Max	Unit
Package	SMD2520			
Frequency Range(F0)	10.00		40.00	MHz
Standard Frequency	16.367667、19.200、26.000、40.000			MHz
Frequency Stability @T <sup>OPR</sup> ( $\Delta F/F_0$ )			$\pm 1.0(0^{\circ}\text{C to }+50^{\circ}\text{C})$ $\pm 1.5(0^{\circ}\text{C to }+70^{\circ}\text{C})$ $\pm 2.0(-20^{\circ}\text{C to }+70^{\circ}\text{C})$ $\pm 2.5(-30^{\circ}\text{C to }+75^{\circ}\text{C})$ $\pm 3.0(-40^{\circ}\text{C to }+85^{\circ}\text{C})$	PPM
Frequency Stability @ Load( $\Delta F/F_0$ )			$\pm 0.3(\pm 10\% \text{ Load Change})$	PPM
Frequency Stability @ Vcc( $\Delta F/F_0$ )			$\pm 0.2$	PPM
Aging Per Year			$\pm 1.0$	PPM
Phase Noise@19.20MHz			-110 dBC/Hz(100Hz) -140 dBC/Hz(1KHz) -150 dBC/Hz(10KHz)	
Operating Temperature Range(T <sup>OPR</sup> )	-40		+85	°C
Storage Temperature Range(T <sup>STG</sup> )	-55		+125	°C
Operating Voltage(Vcc)	2.8 $\pm$ 5% or 2.5 $\pm$ 5% or 1.5 $\pm$ 5%			V
Input Current On Load(Icc)			3(10.00 to 23.99MHz) 5(24.00 to 40.00MHz)	mA
Start Time			2	ms
Output Load	10K $\Omega$ /10PF			
Output Level(Clipped Sine Wave)	0.8Vp-p			V
Control Voltage Range(Vcontrol)	20%VCC		80%VCC	V
Pull ability@Control Voltage Range	$\pm 5.0$			PPM

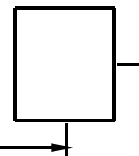
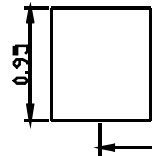
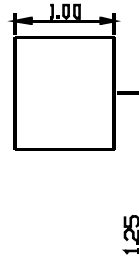
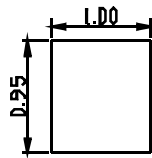
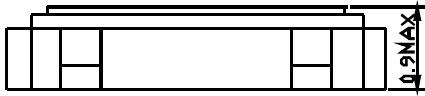




■ DIMENSIONS AND PIN FUNCTION:



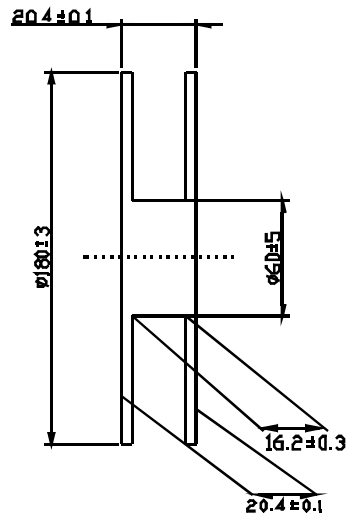
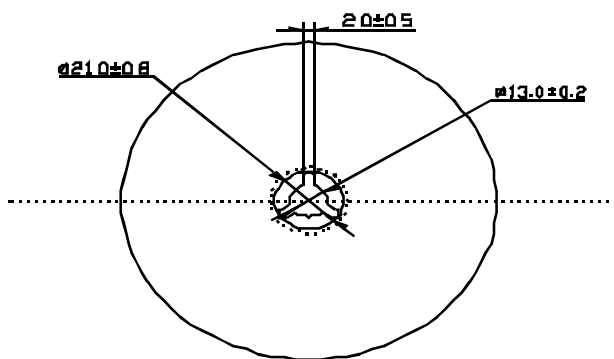
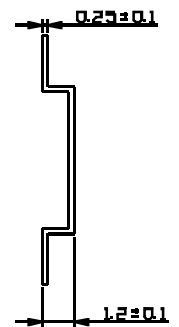
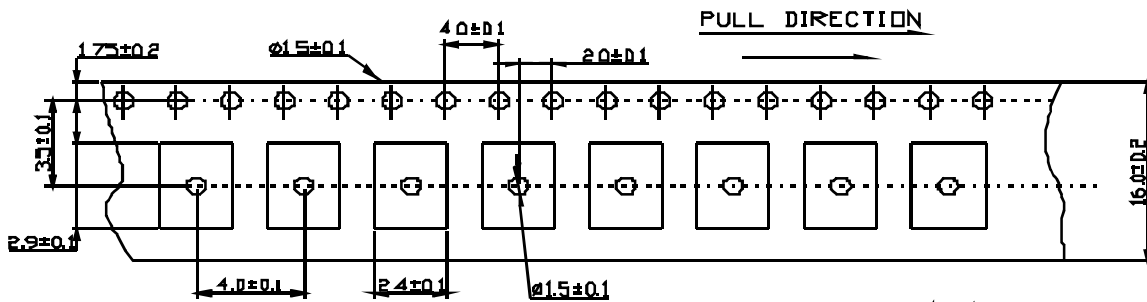
PIN	Function
#1	NC/Vcontrol
#2	GND
#3	Output
#4	Vcc



Unit:MM

Recommended Solder Pattern

■ TAPING AND REEL:



Unit: mm

